

□ 133 Centrifugal fan
×91mm



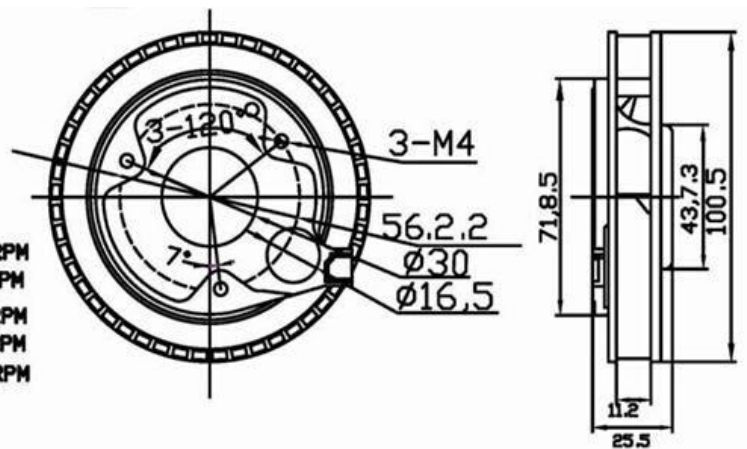
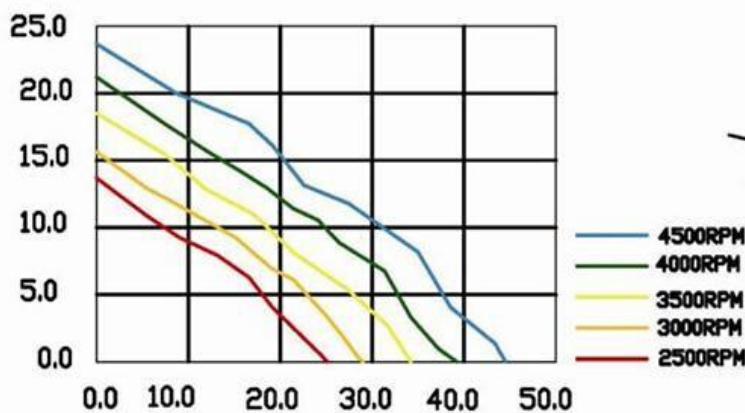
■ Bearing system: Two Ball

- 轴承结构: 双滚珠轴承
- Frame : Aluminum
- 外框材质: 铝合金
- Impeller: Plastic(UL94V-0)

■ 扇叶材质: 塑胶(UL94V-0) RoHS

品牌	轴承	电压	启动电压	电流	功率	转速	风量	静压	燥音		
型号	B/S	V	V	A	W	RPM	m3/H	CFM	mm-H2O	Pa	dba
SP133B124V	B/S	24	12.0to27.6	1.20	29	3100	360	212	38.75	380	63
SP133B148V	B/S	48	24.0to60.0	0.58	28	3100	360	212	38.75	380	63

*Bearing system B: Two Ball Bearing S: Sleeve Bearing



注: 如果您需要的电压、转速、功率、风量、噪音等不在这清单上, 请与我们联系! If you need a voltage, speed, power, wind, noise, etc. are not on this list, please contact us!